

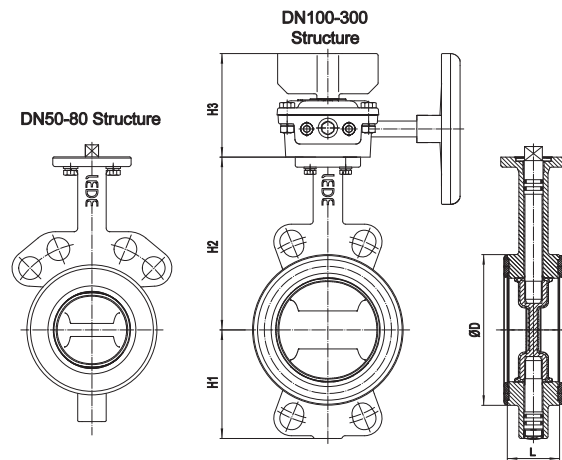
Butterfly valve with tamper switch wafer style



Name of parts	Material
Body	Ductile iron
Plug	EPDM
Driven shaft	1Cr17Ni2
Disc	Ductile iron and EPDM
Actuating shaft	1Cr17Ni2
Bearing bush	Bronze
O-rings	EPDM
Gear operator	Ductile iron and steel

Technical data >

- Sizes: DN50~DN300
- Working pressure: PN16/PN25
- Valve standard: EN593
- Flange standard: ASME-B16.1 Class125 and EN1092-2
- Top Flange standard: EN ISO 5211
- Temperature range: 0 ~ 80 C



Dimensions		Pressure rating	Size (mm)					
DN	inch		psi	ΦD	L	H1	H2	H3
50	2	362	91	43	70	125	H3	F05
65	2.5	362	108	46	76	143.5	103	F05
80	3	362	124	46	94	151	103	F05
100	4	362	150	52	108	172	103	F07
125	5	362	178	56	127	190	103	F07
150	6	362	205	56	139	202	103	F07
200	8	232	260	60	175	235	103	F07
250	10	232	313	68	210	265	109	F10
300	12	232	364	78	238	285	109	F10